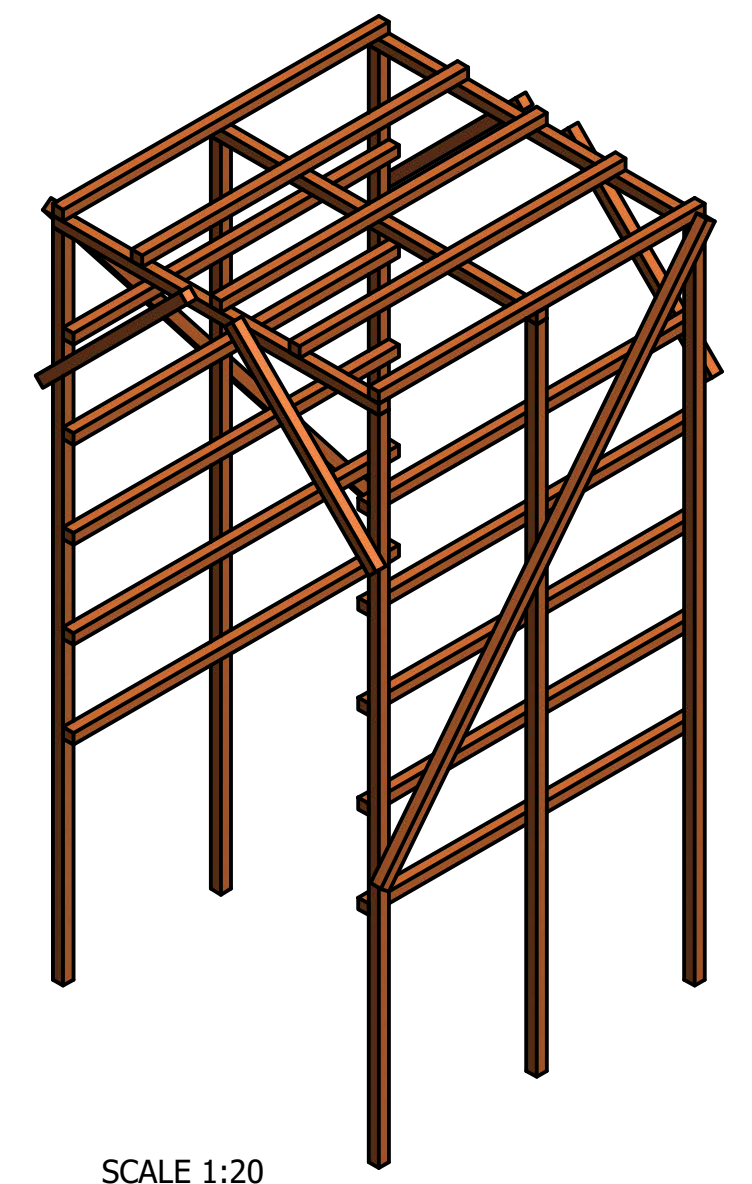
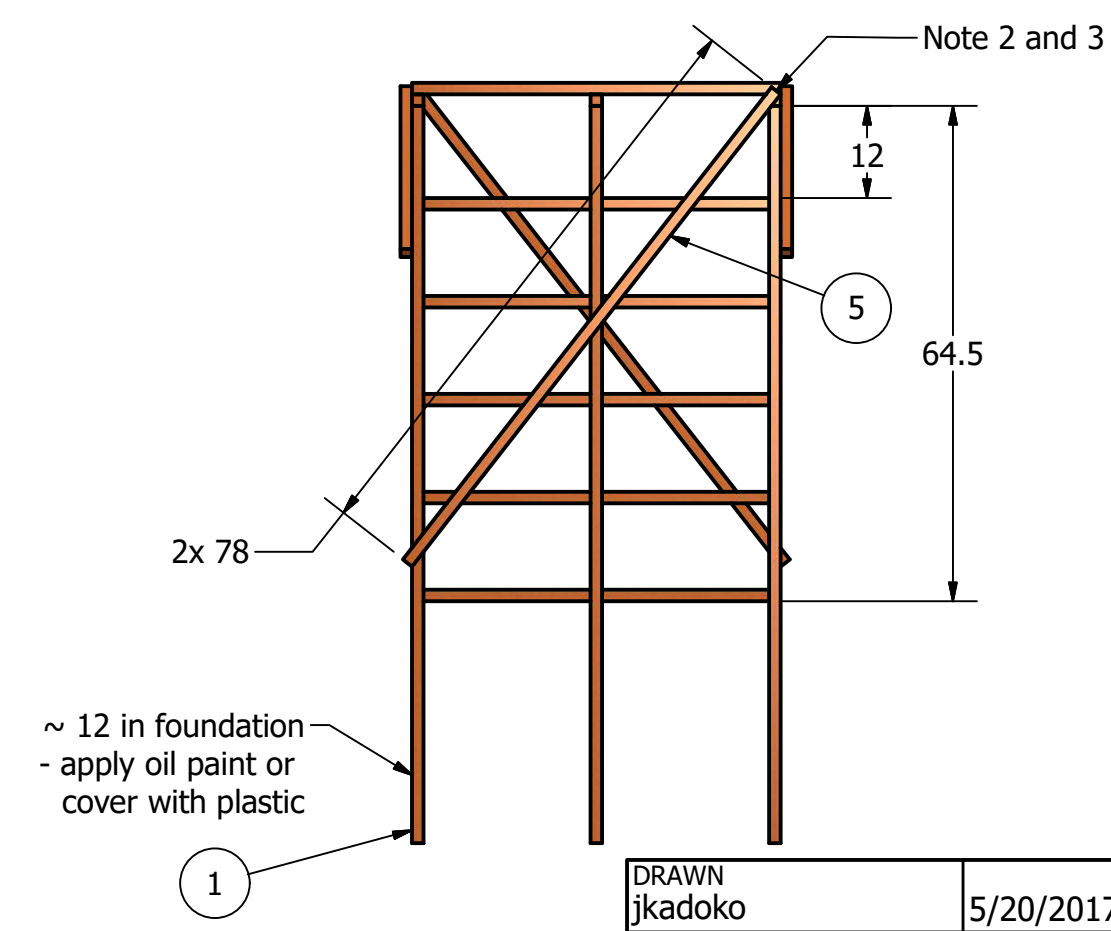
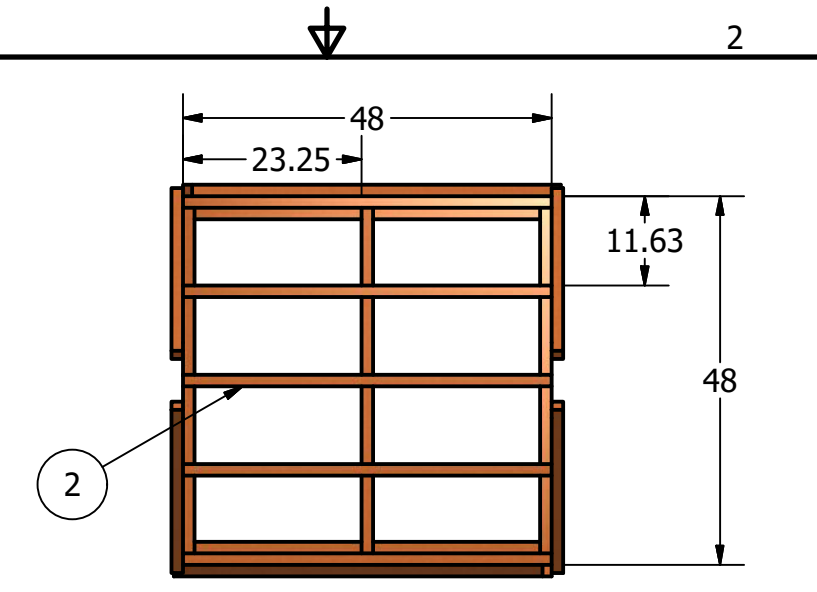
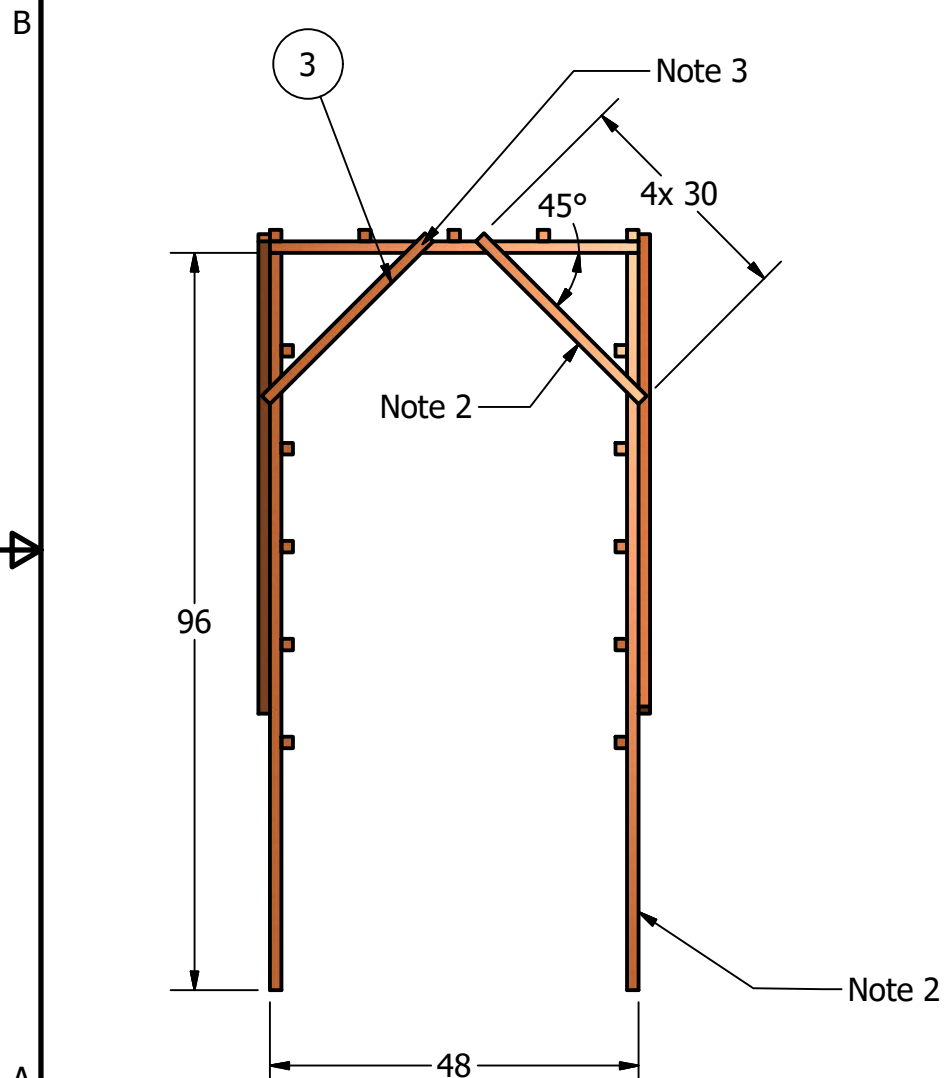


PARTS LIST			
ITEM	QTY	PART NUMBER	DESCRIPTION
1	6	Main_Support_2_by_2_by_8ft	
2	18	Cross_Bar_2_by_2_by_4ft	
3	4	Cross_Bar_2_by_2_by_2.5ft	
5	2	Diagonal_Bar_2_by_2_by_6.5ft	



- NOTES:
1. All dimensions are in inches.
 2. I recommend at least 2" by 2" pine wood for the main load-supporting members.
 3. Wood screws shall be used as fasteners for maximum mechanical stability.

DRAWN jkadoko	5/20/2017	jonahkadoko.com		
CHECKED J. Kadoko	6/10/2017	TITLE		
QA		Grape trellis, 4 ft by 4ft by 6ft		
MFG		SIZE	DWG NO	REV
APPROVED J. Kadoko	6/10/2017	B	Grape Trellis	v1
		SCALE 1:25	SHEET 1 OF 1	